



Gas cylinder cabinet G-ULTIMATE-90
Model G90.205.120, in light grey (RAL 7035)

Safe and approved storage of flammable or toxic gases in working areas – for up to 4 x 50-litre gas cylinders

Function / construction:

- **No unauthorised use:** doors lockable with profile cylinder (integration in an existing locking system possible)
- **easy alignment:** adjusting aids to compensate for uneven floor
- **easy mounting of connecting pipes and gas fittings:** large interior height (1890 mm), many lead-through possibilities on the top of the cabinet
- **ventilation:** integrated air ducts ready for connection (DN 75) to a technical exhaust, even ventilation inside the cabinet
- **tested and certified:** according to the stricter GS principles

Available equipment:

- Comfort interior equipment – complete with mounting rails, rolling ramp (L = 350 mm) with pneumatic damper, cylinder retainer and matching tension belts
- standard interior equipment – complete with mounting rails, rolling ramp, cylinder retainer and matching tension belts
- cylinder retainer – variable installation in the cabinet, flexibly adjustable in depth, across the entire width of the cabinet
- sateral cylinder retainer – for two 10-litre cylinders, alternatively in height adjustable version (no tools required)

Dimensions

Width (external)	1198.00 mm
Depth (external)	615.00 mm
Height (external)	2050.00 mm
Width (internal)	1045.00 mm
Depth (internal)	400.00 mm
Height (internal)	1858.00 mm

The available internal dimensions can vary depending on the interior equipment package.

Weight / Load

Weight without interior equipment	610 kg
Distributed load	625.00 kg/m ²
Maximum load	600 kg

Ventilation

Extraction air	75 DN
minimum exhaust air quantity 10 times	8 m ³ /h
minimum exhaust air quantity 120 times	93 m ³ /h
Lead-through possibilities	60

For further details of the lead-through possibilities and exhaust air please have a closer look to EN 14470-2.

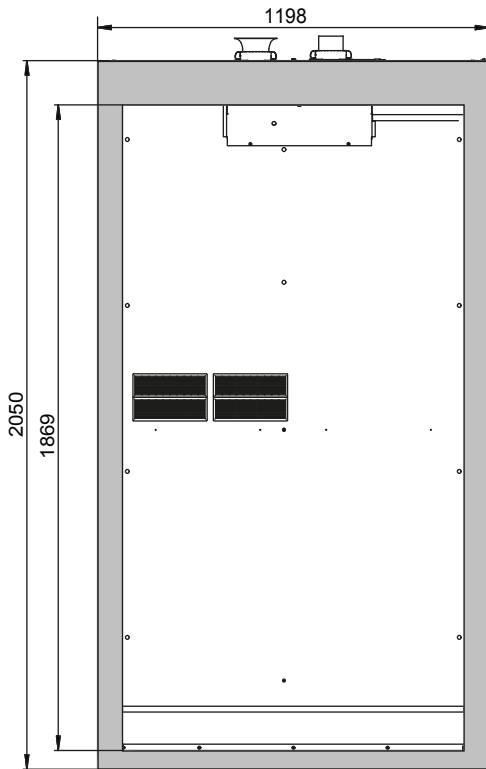
Colouring / Surface finish

Body colour code	RAL 7035
Body colour	Light grey
Body surface finish	plain
Door / Drawer colour code	RAL 7035
Door / Drawer colour	Light grey
Door / Drawer surface finish	plain

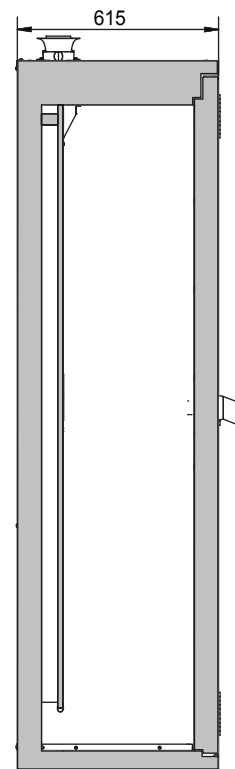
General Information

x 50-litre gas cylinders	4 piece
Door opening angle	180.00°
Depth with open doors	1238 mm
Customs tariff number	94032080

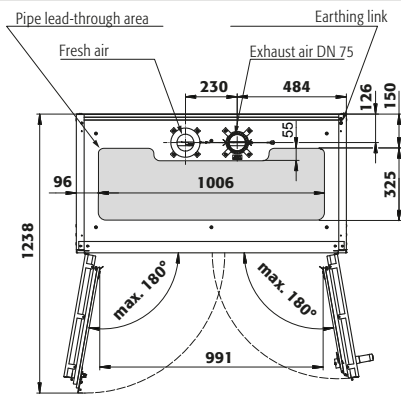
Front view



Side view



Top view



For further information please visit www.asecos.com